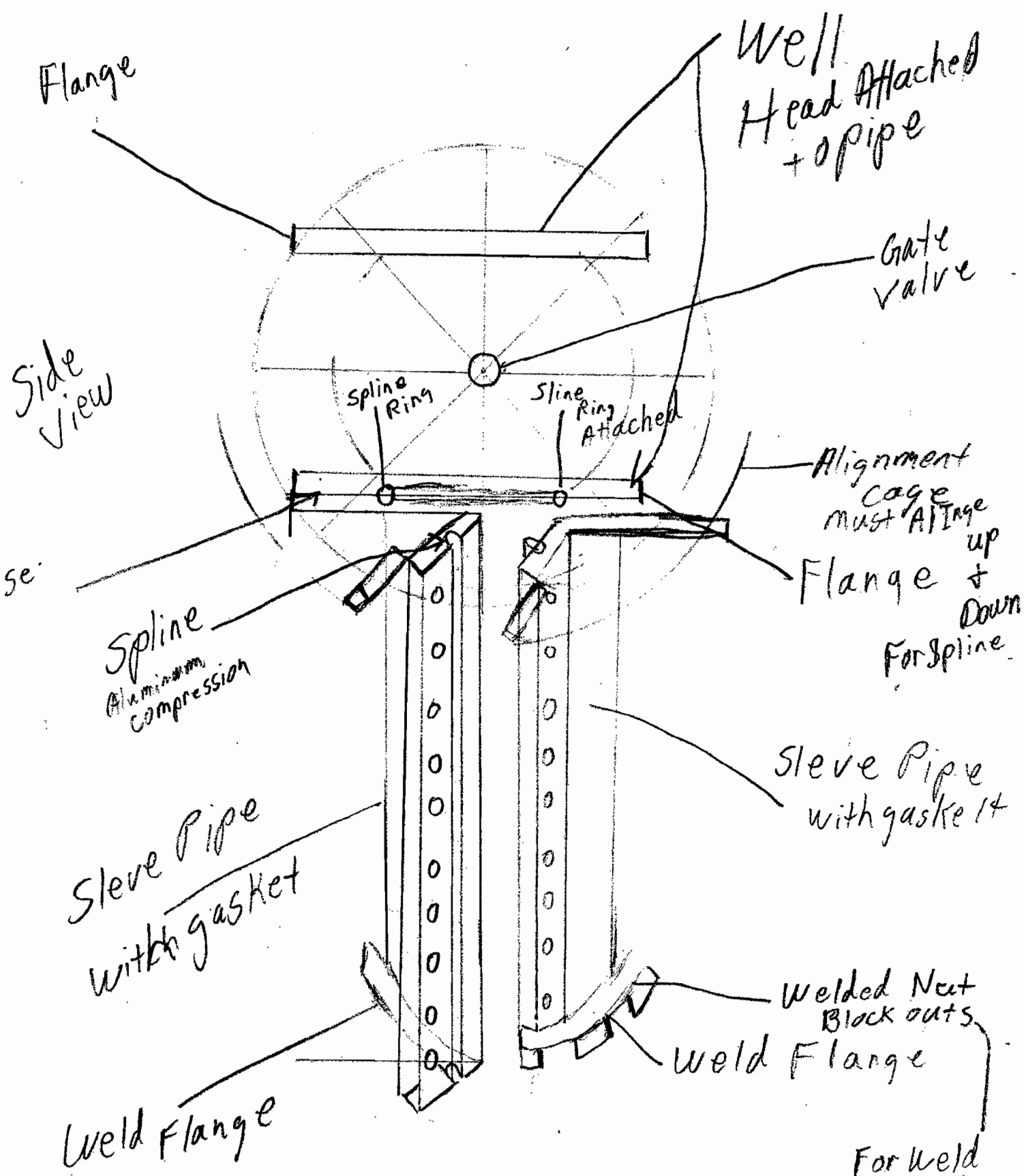


Cage Must Be Offset " Spine
 For Allow Ring on Head

One side of Cage welded to 1/2 pipe sleeve
 Other Side of Cage Adjustable Horizontally & Vertically on other 1/2 Pipe

PATENT PENDING
 ENG@R101.COM 5/14/10 SHT. 12 OF 3



Flange

Well Head Attached + pipe

Side View

Gate Valve

Spline Ring

Spline Ring Attached

Alignment cage must align up & down for spline

se:

Flange + Down for spline

Spline Aluminum Compression

Sleeve Pipe with gasket

Sleeve Pipe with gasket

Weld Flange

Welded Nut Block outs
Weld Flange

For Weld out to BOP Flange?

PATENT PENDING
ENR101.COM 5/14/10
SHT. 3 OF 3